

Minimum System Requirements

Operating System	Microsoft® Windows® VISTA or XP Service Pack 2/3
Ports	USB 2.0
Processor	1.0 GHz or faster
Memory	512 MB
Display Setting	1024x768 at 32 bit true color
Graphics Card	DirectX 9.0 compatible

Technical Specifications

Handpiece weight	79 grams (2.78 ounces)
Handpiece length	195 mm (7.68 inches)
Width of distal section	17.5 mm (0.69 inches)
Visual angle	80° (diagonal)
Focal Depth	5 – 35 mm
Retroreflection	95.5°
Optical system	Three lenses, F/# 13
Sensor	Progressive Scan
Illumination	12 warm white LEDs
Frame rate	30 frames/sec. self-adapting
Handpiece Grip	Stainless Steel
Max USB 2.0 Cable length	5 m (16.40 feet) - extendable with powered USB 2.0 hub
Power Supply	5V DC (USB 2.0 supplied)
Max. Absorption	350 mA
Absorption with LEDs switched off	80 mA
Protection	Self-resetting internal fuse, Digital thermometer for overheating
EMC / Safety	Class 1 device in compliance with 93/42 Directive Class 1 type B device in compliance with EN 60601-1

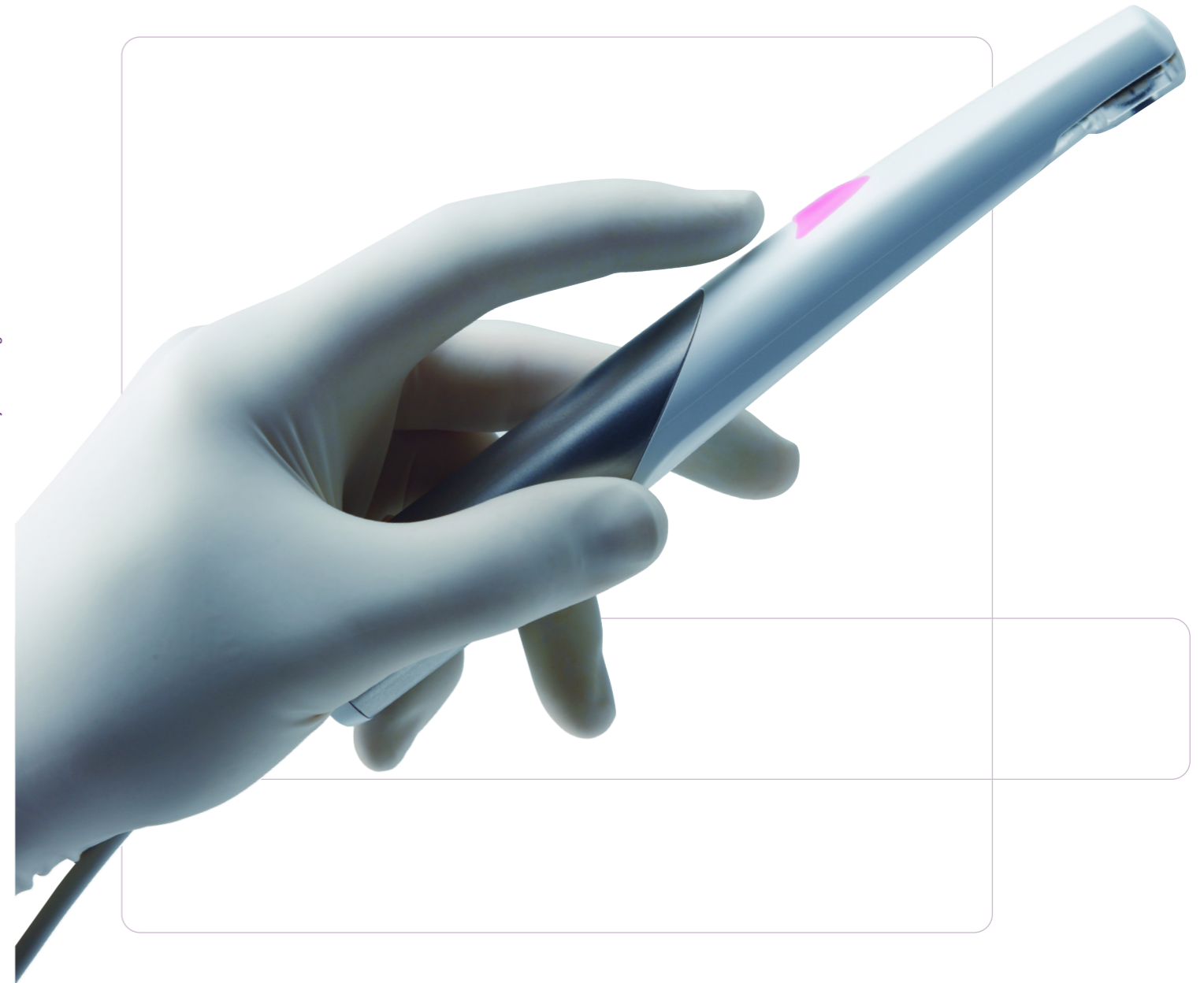
C-U2

Digital USB2 camera
Progressive Scan technology

MCU2GB091S00

2009/10/15

Data subject to change without notice



C-U2

Digital USB2 camera
Progressive Scan technology



C-U2, digital by nature

Efficient communication thanks to sharp images. Encourage patients to undergo treatment by involving them at each step of the plan.

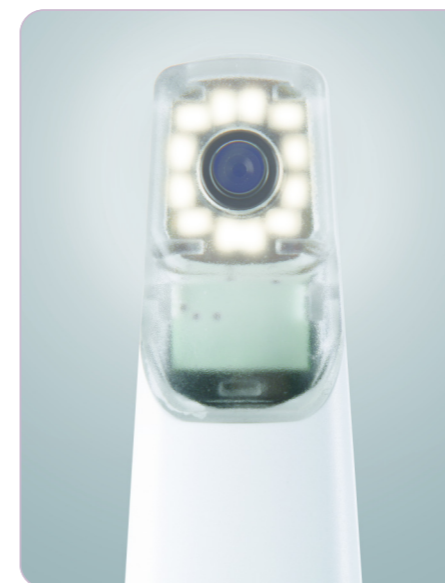
Visual communication is a simple and hands-on experience.

C-U2 brings this type of communication to life: straightforward and simple to use, totally automatic without the need for any manual adjustments, it generates clear and explicit images. Technologically advanced beneath the surface, it is easy and intuitive to use.

C-U2 is the communication tool designed for professionals who have chosen to increase their efficiency through the use of a computer in the operating area, right beside where they work.

The use of a computer makes acquisition and filing of dental images a simple task, organising them in nominal clinical folders, and ensures long-term rapid access for consultation purposes.

C-U2, digital by nature.



Sharp images

12 micro-lights

The highest degree of illumination in its category, enabling an efficient spread of light while examining the oral cavity, thus producing bright images with sharply defined colours.

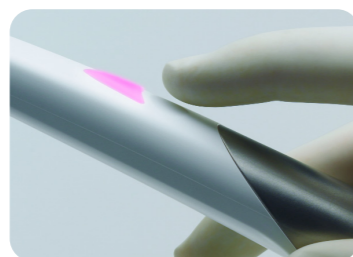
Automatic brightness setting

Intra-oral examination and image acquisition require absolutely no manual adjustment. A micro-processor inside the handpiece constantly adjusts all parameters in order to ensure optimum image quality: illuminated areas and shadow areas, colour brightness, reflections.

Progressive Scan

Already part of today's most recent DVD players, this technology allows for perfect image-freeze and guarantees top quality definition. No conversion into analogical signal: just pure live digital video. C-U2 incorporates the most up-to-date technological innovations in order to provide clear and valuable images.

Communication made simple



Focus Free

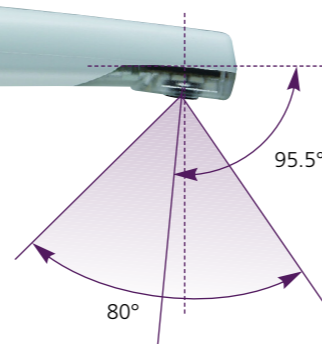
Remarkable visual depth of field allows full investigation of the oral cavity without the slightest need to manually focus on the single object.

Touch Sensitive Control

Fingertip freeze-frame selection. No push-button switches or pedals. The C-U2 handpiece has a touch-sensitive area through which the freeze-frame function is activated and images are obtained without vibrations thanks to fingertip control.

Retro-Flex Vision

The wide viewing angle is partially inclined away from the extremity of the handpiece in such a way as to enable easy access to distal and rear tooth areas, just where a traditional 90° angle makes adequate visualisation awkward to obtain.



Easy to use

Reliability

Extremely lightweight, ergonomically designed handpiece with a sturdy metal grip, liquid-proof and surface-cleanable: a long-lasting communication tool

Quick Connect

C-U2 is a digital video system fully integrated into the handpiece itself: no intermediate electronic devices between handpiece and computer, no independent power supply needs plugging in. Moving the camera from one terminal to the other is as simple as connecting a mouse. C-U2 is ready for use as soon as it is connected to a PC.



USB 2.0

The most widespread connection that exists between computers and high-speed peripheral devices. C-U2 uses this standard and guarantees compatibility with all recent Windows XP based computers.

