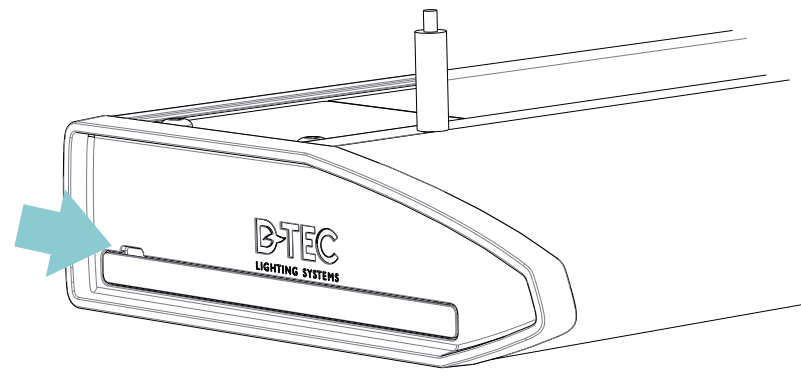
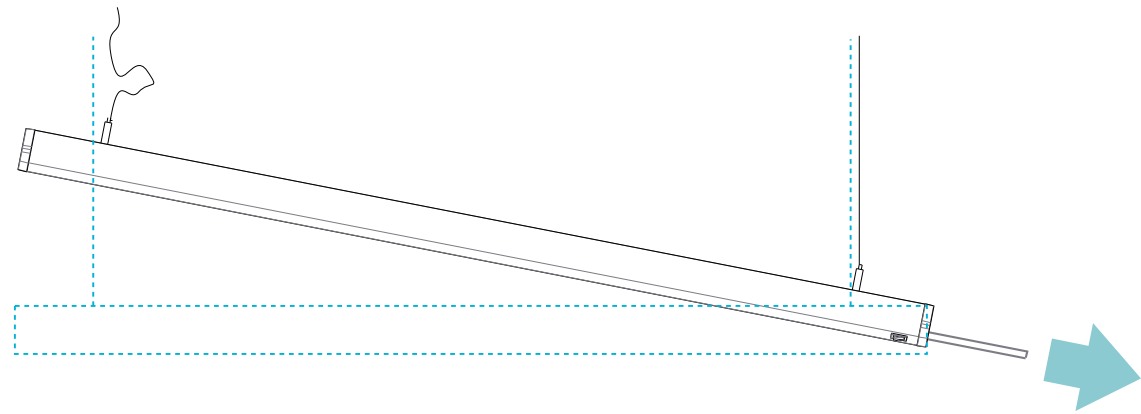


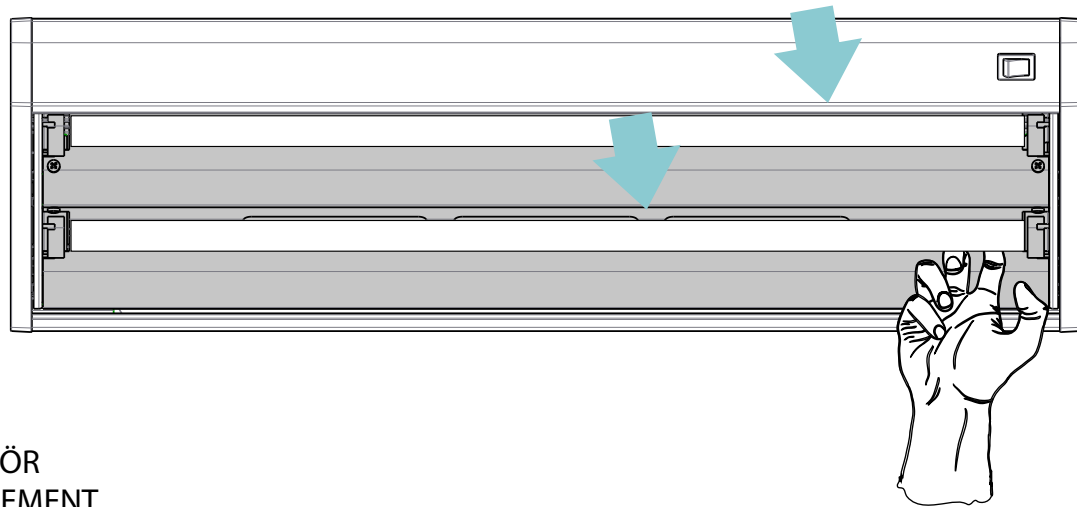
1.



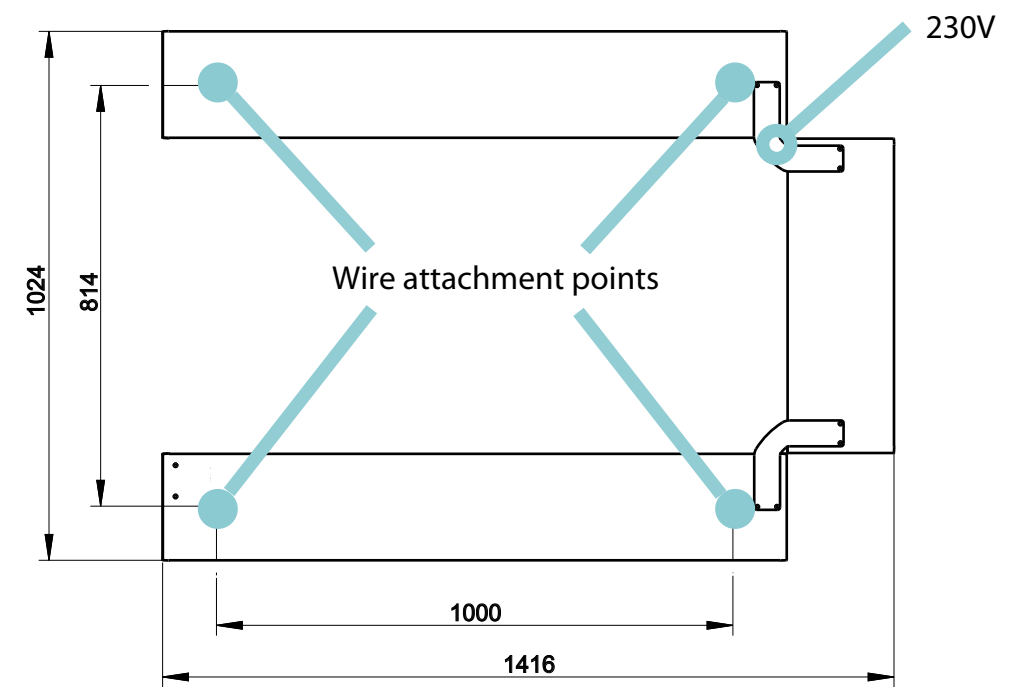
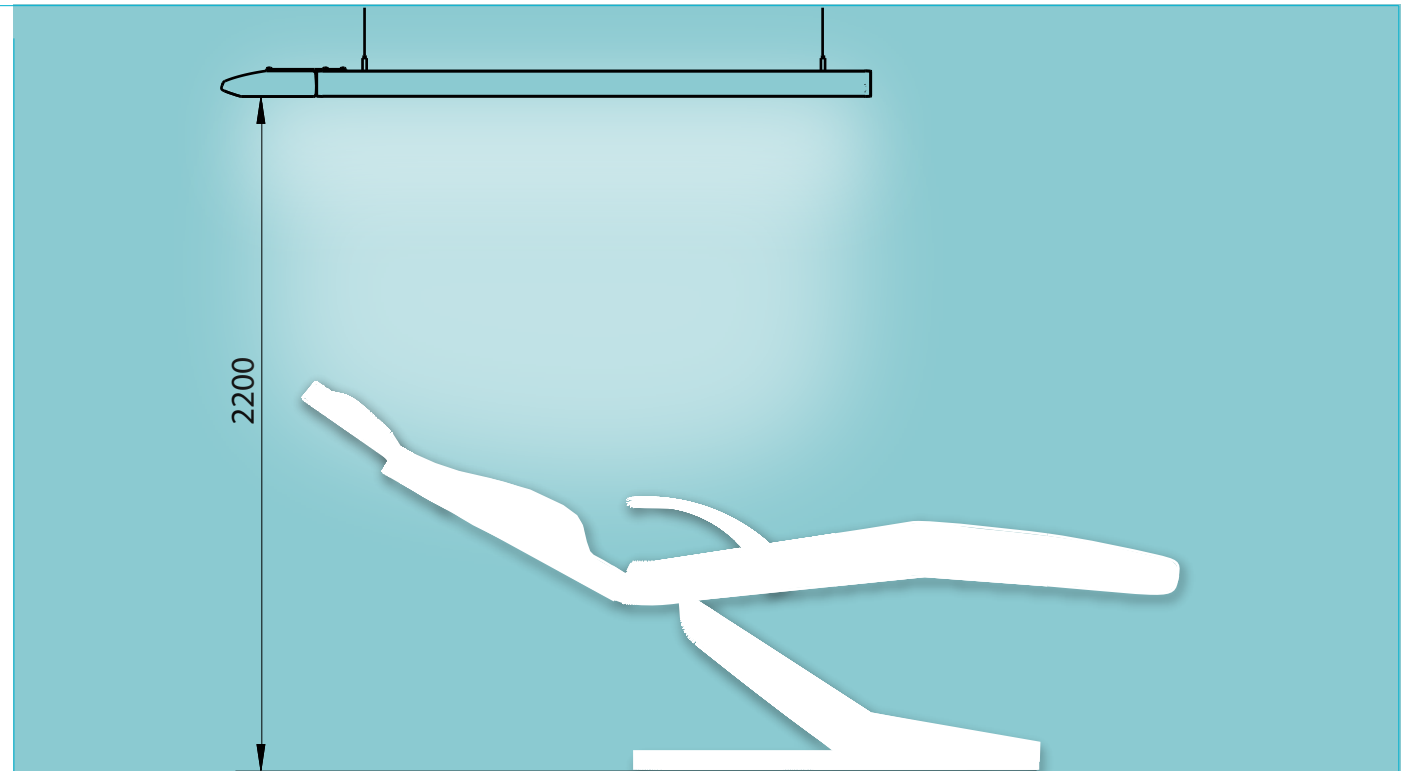
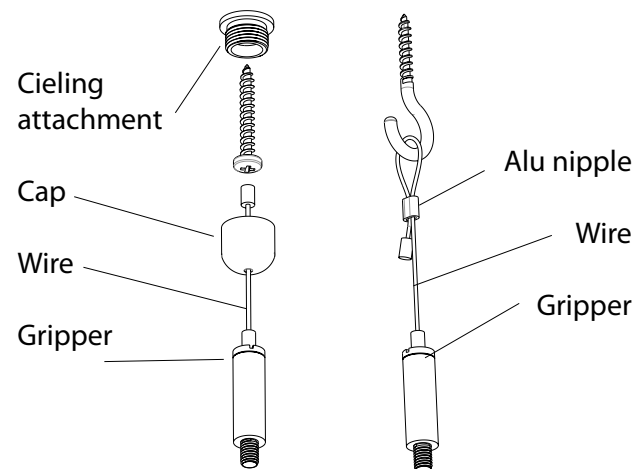
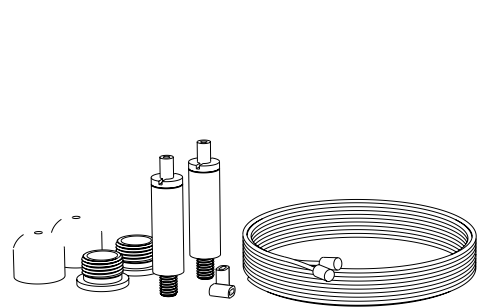
2.



3.



BYTE AV LYSRÖR
 TUBE REPLACEMENT
 ROHRENWECHSEL
 CHANGEMENT DES TUBES



Primo U
 MONTERINGSANVISNING
 MOUNTING INSTRUCTION
 MONTAGEANLEITUNG
 NOTICE DE MONTAGE

DTEC
 LIGHTING SYSTEMS

D-Tec AB
 Varavägen 12, SE-465 94 Nossjö, Sweden
 Tel +46 31 969 302 Fax +46 31 966 092
 E-mail mailbox@d-tec.se Website www.d-tec.se