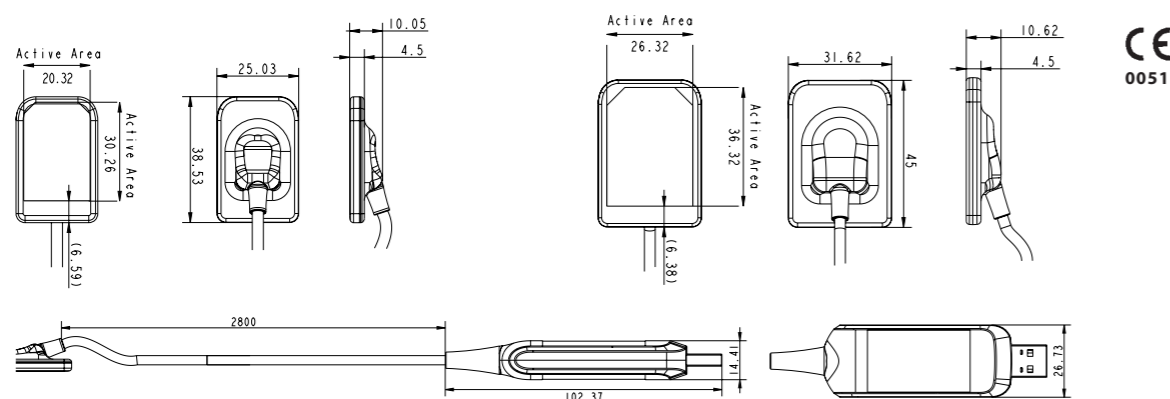


Technical specifications.

INTRAORAL SENSORS	Size 1	Size 2
External dimensions (mm)	36.8 x 25.4	41.9 x 30.4
Thickness (mm)	4.5	4.5
Pixel matrix	1500 x 1000	1800 x 1300
Pixel size (µm)	20	20
Max. resolution (lp/mm)	25	25
Grey level depth	16-bit acquisition - max. 65,535 grey levels	
Sensor technology	APS CMOS	
Scintillator technology	Direct deposition CsI (Caesium Iodide)	
Case protection rating	IP 68 (Guaranteed against liquid or dust infiltration)	
Compatibility with X-ray generators	Any AC or DC technology X-ray generator with values in the 60 – 70 kV and 1-8 mA range and precision control of exposure times	
Connectivity	Direct USB to PC	
Acquisition software (for PC)	iCapture with dedicated filters for third party software	
Image management software (for PC)	iRYS (complies with ISDP©10003:2020 as per EN ISO/IEC17065:2012 certificate number 2019003109-2)	
Supported protocols	DICOM 3.0, TWAIN, VDDS	
DICOM nodes	IHE compliant (Print; Storage Commitment, SR document; WorkList; MPPS; Query/Retrieve)	
Minimum system requisites		
Supported operating systems	Microsoft® Windows® 10 (Professional 64 bit) or 11	
Processor	Intel Core 2 Duo / AMD Athlon X2 or later	
RAM	U4 GB (8 GB recommended)	
Graphics card	Discrete 3D Video Card or integrated GPU	
Display settings	1280 x 1024; 1344 x 768 or greater, 16 million colours	
Port	USB 2.0 or later versions	
Power supply	5 VDC, 500 mA (via USB)	



www.myray.com



BU Medical Equipment

Plant - Via Bicocca, 14/c - 40026 Imola - Bo (Italy) tel. +39 0542 653441 - fax +39 0542 653555

Headquarters - Cefla s.c. Via Selice Provinciale, 23/a - 40026 Imola - Bo (Italy) tel. +39 0542 653111 - fax +39 0542 653344

Cefla North America, Inc. 6125 Harris Technology Blvd. Charlotte, NC 28269 - U.S.A. Toll Free: (+1) 800.416.3078 Fax: (+1) 704.631.4609

Data subject to changes without prior notice. 02/2023 MZENXEGB231S00
According to the regulations in force, some products and/or features may have different availability and characteristics in areas outside of the European Union. Please contact your local distributor.



Zen-X E
Direct USB "Series E"
intraoral sensor



Zen-X E.

The Enhanced sensor that takes performance in your practice to the next level. High resolution, extreme user-friendliness and maximum patient comfort.

Optimise work with the new Zen-X E intraoral sensor.

Thin and comfortable for the patient, easy to handle for dentists and assistants.

High quality images - even at low X-ray doses - ensure clear diagnosis and effective treatment.

Discover the features that allow Zen-X E to deliver an improved patient experience and smoother workflows.

So tiny. So great.

- Ergonomics and comfort
- Easy positioning
- Highly detailed images
- Liquid-proof



Light and compact
IP68 certified for protection against liquids and dust.

HD QUALITY

More sensitive than the other wired sensors in the range, Zen-X E guarantees extremely detailed images.

ERGONOMICS

Rounded corners and a thin profile ensure comfortable insertion in the oral cavity.



PLUG&PLAY

Work anywhere: the 3-meter long cable maximises freedom of movement and provides immediate USB connection.



Designed to streamline work.

Zen-X E optimises ergonomics, improving both the patient experience and examination accuracy.

Just 4.5 mm thick and featuring rounded corners, Zen-X E minimizes patient discomfort and streamlines workflows. Available in two sizes, both with an extensive active area to maximise the view with a single exposure. The Plug & Play system allows immediate display of the image on a PC or laptop, minimising appointment times.

With Zen-X E you can count on accurate X-ray imaging for a wide range of exams, with special positioners ensuring precise framing. With clear advantages for both the patients and the practice.

This is the way.

- Extensive active area
- Flexibility
- Reliability
- Plug & Play



LOW BULK, LARGE ACTIVE AREA

Available in 2 sizes, Zen-X E optimizes sensor bulk for both adult and child patients thanks to an active area that almost reaches the edge. The sensor adapts to the anatomy of the oral cavity, reconciling the dual need for comfort and a clear diagnosis, with special positioners maximising exam accuracy.



PROTECTED

The IP68 certified Zen-X E provides resistance to liquids and dust above the market average. An aluminium layer protects it from knocks and accidental falls, as does the special design of the internal layers that convert the X-ray beam into the final image.



EXTRA-LONG PLUG & PLAY CABLE

The 3 metre long cable ensures excellent freedom of movement. Take Zen-X E anywhere, take advantage of direct USB connectivity to your PC or laptop. The on-cable stabilizer reduces energy consumption, keeping the temperature of the sensor in the oral cavity under control. Furthermore, there's no need to put the device on standby and interrupt workflows.

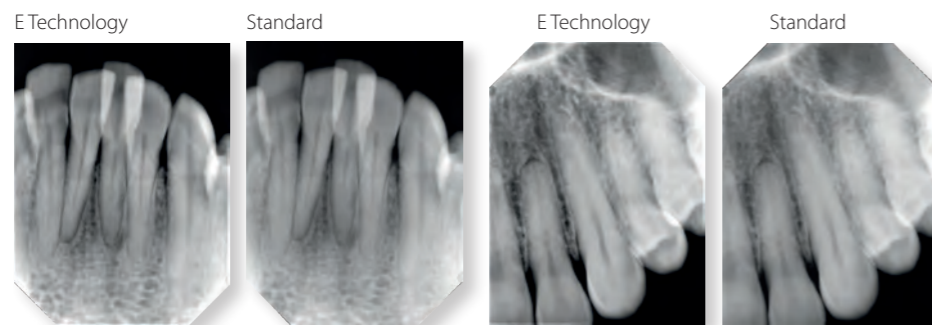


Multiply opportunities.

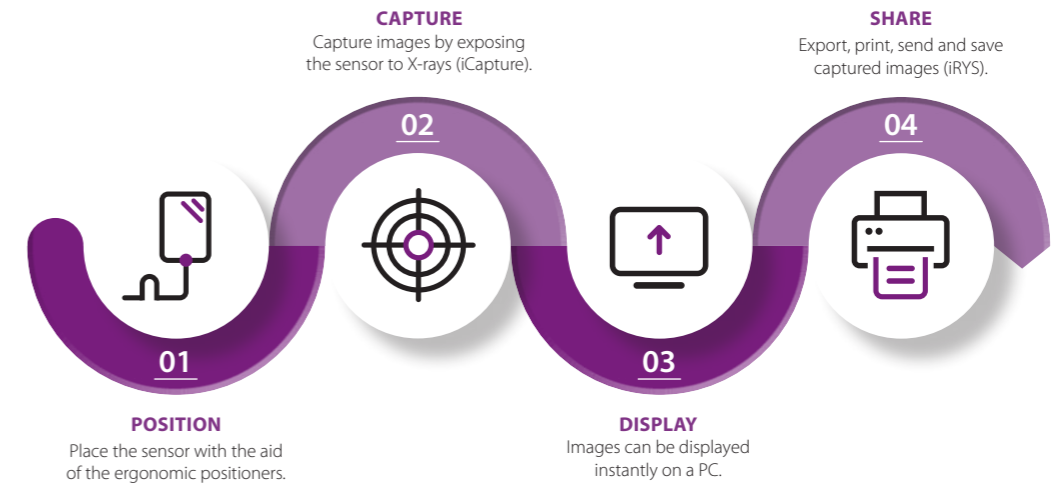
Advanced Zen-X E hardware and software boost diagnostic capacity and let you process/browse images with ease.

More sensitive than its predecessors, Zen-X E provides - dosage remaining equal - excellent definition, allowing you to see details such as coronal micro-fractures; this outstanding detail is maintained even at low doses. User-friendly, customisable iCapture software quickly transfers captured images to your computer. Once transfer has been completed, MultiIMAGE technology lets you view up to 5 different images with a single scan. Last but not least, the processing software lets you share X-rays in real time with the patient or colleagues. **Better and better.**

- High-sensitivity sensor
- MultiIMAGE technology
- PiE (Powerful image Enhancer)
- Proprietary iRYS software

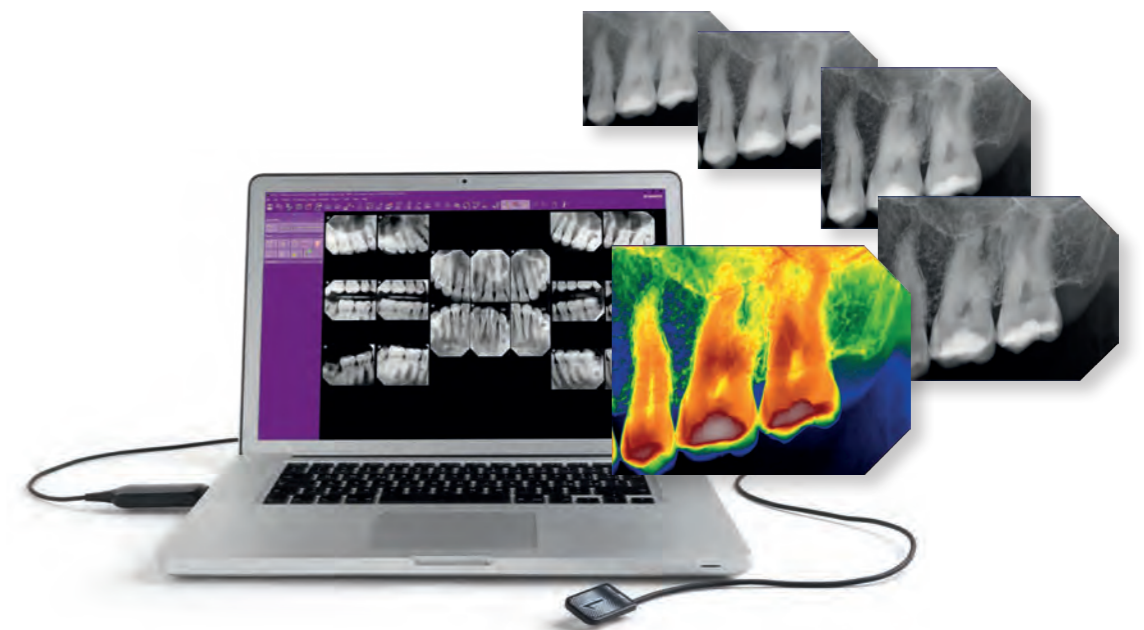


MORE SENSITIVE
Low X-ray doses and sharper images ensure a clear diagnosis.



OPTIMAL WORKFLOW

Ergonomic positioners optimise sensor placement, ensuring it's always ready for exposure. After capture, the images are uploaded directly onto the PC where they can be saved, viewed and shared using iCapture (TWAIN) and the all-in-one iRYS (DICOM) software. They can then be printed or e-mailed.



PiE (Powerful image Enhancer)

MultiIMAGE technology applies proprietary PiE algorithms, optimized for Zen-X E, to capture, display and share sets of (up to 5) images. Each image highlights a different anatomical detail by modulating sharpness and contrast.

iRYS

The sensor interfaces smoothly with the iRYS software installed on the PC. This provides rapid image browsing, calibration, pre-settable filters, association with the dentition chart and automatic predefined layouts that let dentists consult an individual patient's X-rays quickly.