

5.7 L ULTRASONIC CLEANING SYSTEM

BioSonic[®] UC150

Your Patients Trust You
You Can Trust **BioSonic**



 **COLTENE**

Three Decades of Trusted Technology

2017



BioSonic UC150



BioSonic UC125



BioSonic UC50DB



BioSonic UC95



BioSonic UC300



BioSonic UC300R



BioSonic UC100



BioSonic UC1

1988

TRUSTED BRAND

DESIGNED FOR THE DENTAL PRACTICE AND LABORATORY

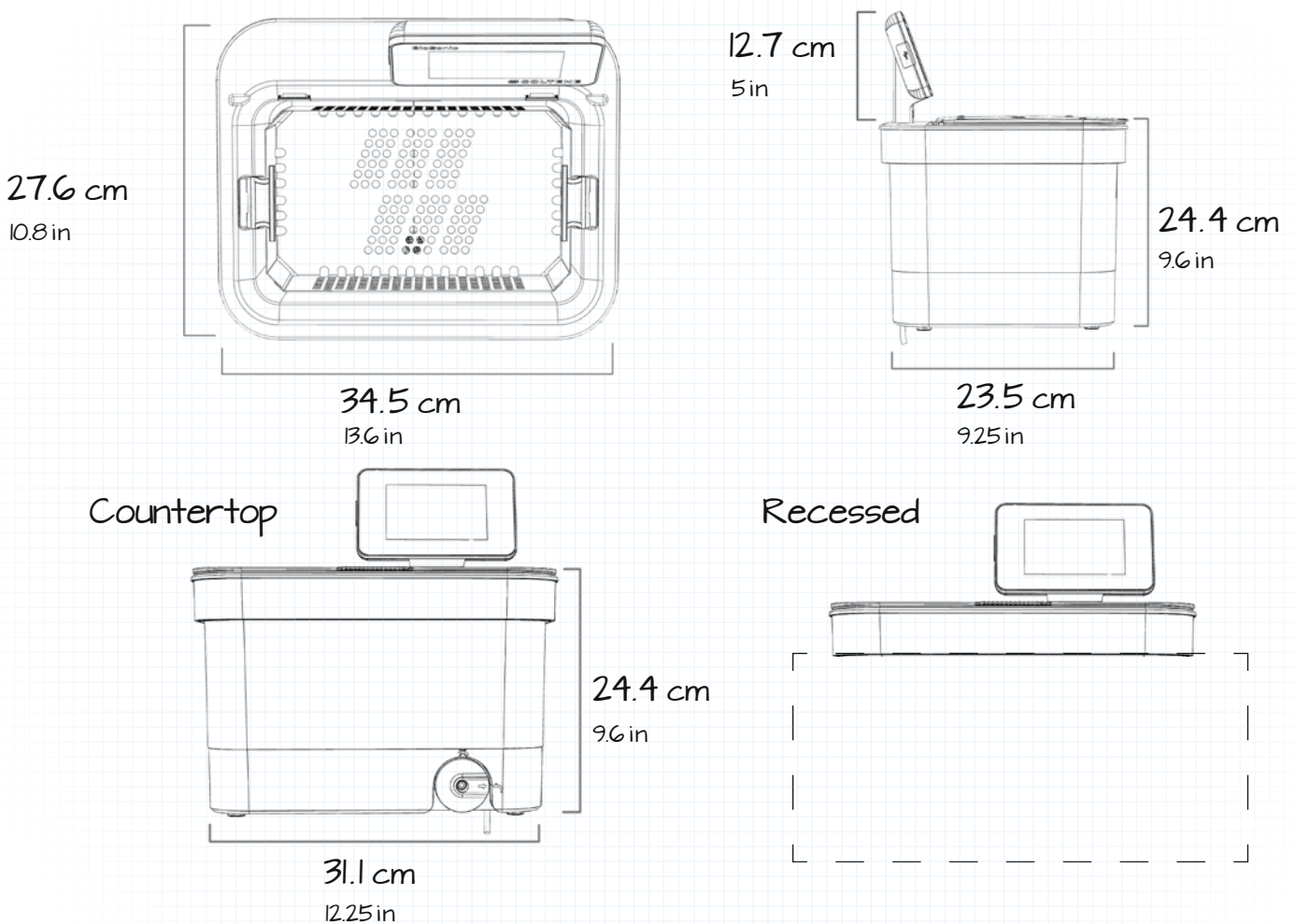
Since 1988, Coltène's **BioSonic** Ultrasonic Cleaning Systems have been trusted worldwide as the standard in ultrasonics for the dental practice. **BioSonic** cleaning products are designed with the dental lab in mind, ensuring highly effective but gentle cleaning that prevents damage to dental and orthodontic instruments. You can depend on **BioSonic** cleaning products, including cleaning units suited for your office, cleaning solutions and accessories to manage your cleaning process from start to finish. The UC150 offers the same great quality you have come to expect from all **BioSonic** products while paving the way for some of the latest technological enhancements in ultrasonic cleaning.



*Some units shown have been discontinued

TRUSTED DESIGN

With its sleek, Swiss design, the **BioSonic** UC150 is built for versatility, efficiency and convenience. The 5.7 L stainless steel tank offers a small footprint but generous capacity, holding up to 4 instrument cassettes. The UC150 can be used as a countertop or recessed unit, allowing flexibility in any sterilization center setting.



DESIGNED FOR VERSATILITY

- Can be used as a countertop or recessed unit
- Offers customizable operation

CONVENIENCE

- Quiet operation
- Glove-friendly touch screen
- Quick draining with externally accessible drain

EFFICIENCY

- Data logging capability
- Fits multiple cassettes at once
- Heater function

BioSonic UC150



MAXIMIZED COUNTER SPACE

The **BioSonic UC150** can sit directly on the countertop or be recessed. There is no need to invest in a new ultrasonic cleaner if your sterilization center is remodeled or storage conditions change.



USB INTERFACE

The USB interface allows for easy downloading or capture of cleaning data.



STAINLESS STEEL TANK

The **BioSonic UC150** offers a 6L, stainless steel tank designed to house a wide variety of cassette baskets and beakers for efficient care and cleaning of your instruments.



BUILT TO LAST

A sleek wear resistant housing that will not dent or stain.



MULTIPLE CLEANING CONFIGURATIONS

The unique crossflow basket enables enhanced instrument cleaning. Multiple cleaning configurations include beakers, baskets and instrument cassettes.





GLOVE-FRIENDLY TOUCH SCREEN DISPLAY

This easy to use, multilingual touch screen allows full functionality with a gloved hand. It features customizable operations with user-settable temperature, run time, solution tracking and data logging controls.



HEATER FUNCTION

Optional built-in controlled heating feature (25-60 °C | 70-140 °F) to improve efficiency of cleaning process, saving you time. Inbuilt high temperature safety indication for protection from unit overheating.



HINGED LID WITH OPEN/CLOSE DETECTION

The unique plastic hinged lid minimizes noise, traps vapors and ensures closed operation. It can also be used as a tray to air-dry your instruments prior to bagging and autoclaving.



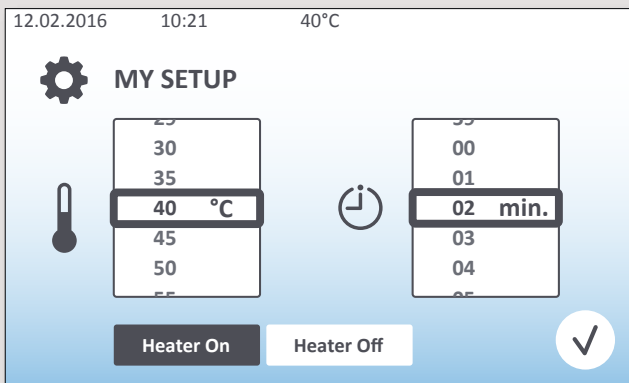
EFFICIENT DRAINING SYSTEM

The externally accessible drain with an extended tube allows for easy draining in less than a minute.

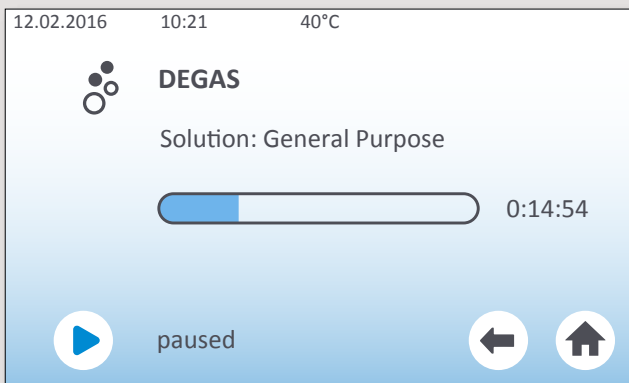
TRUSTED TECHNOLOGY

Cavitation is the heart of Ultrasonic Cleaning technology. This occurs as millions of bubbles, generated from high frequency soundwaves, form and burst continuously in the liquid. When the bubbles collapse, energy is released in the form of heat and pressure waves, thus breaking down the bonds that hold heavy debris on your instruments. The combination of tiny pressure waves created by cavitation and enhanced by specially formulated solutions reach deep into minute crevices, removing gross and microscopic debris.

With built in technology such as the frequency sweep function for uniform cleaning and in-built circuitry to protect against over-temperature or empty tank operation, the **BioSonic UC150** ensures safe and reliable device operation committed to your daily infection control needs.



CONTROLLED HEATING



DEGASSING

The screenshot shows the 'LOG' interface. At the top, it displays the date '12.02.2016', time '10:21', and temperature '40°C'. Below this, there is a hamburger menu icon and the text 'LOG'. A table with 9 columns is shown, containing two rows of data. At the bottom, there are download and home icons.

No	Date	Time	Progr.	Durat.	Temp.	Lid Status	Cycle No	Err. Stat.
25	12.05	14:32	REG	20 min	40°C	ok	235	0
26	12.05	16:38	REG	20 min	40°C	ok	236	0

DATA LOGGING

QUIET OPERATION FOR A COMFORTABLE WORK ENVIRONMENT



*Source: Internal testing, CRA, Dental research Journal (NCBI)

“ Having been in practice for over 25 years I have come to realize how important a reliable, well built, ultrasonic cleaner is to a busy dental practice. My first BioSonic, which was a large capacity cleaner for our stainless steel cassettes, has worked amazingly well for 4 years. I switched to BioSonic after numerous failures of another major brand ultrasonic cleaner. Hopefully I never have to purchase another ultrasonic, but if I do it will only be a BioSonic. — Dr. Brian Wilk, DMD - USA ”

Small footprint to maximize counter space

Overall Dimensions: 34.5 × 27.6 × 35.5 cm

Tank Dimensions: 28.7 × 16.0 × 17.8 cm

Effective ultrasonic cavitation and cleaning process

Max Power Output of 160W (w/o heater) & 440W - 560 W (w/ heater)

Warranty:

2 Years

Large capacity to hold up to 4 medium cassettes

Tank Capacity: 6.6 L

Use Capacity: 5.7 L

Even cleaning with frequency sweep function

Operating frequency: 45 - 47.5 kHz

BioSonic Solutions & Accessories



ORDER INFORMATION

UC150 Unit

60021988 UC150 Cleaner Unit Euro Plug 1 pc.

60021989 UC150 Cleaner Unit UK Plug 1 pc.

Unit, Display, Basket, Power Cord, Drain Tube, Recess Template, Recess Gasket

Accessory Kit

60022042 Basket, Beakers (2), Covers (2), Positioning Rings (2), Beaker Holders (2) 1 set

Accessories

UC53 600 ml Beaker with Cover & Positioning Ring 1 pc.

60022040 Cassette Basket 26.8 × 15.8 × 11.5 cm 1 pc.

60022041 Beaker Holder 1 pc.

60022043 UC150 Replacement Drain Filters 3 pcs.

60022044 UC150 Replacement Drain Hose 1 pc.

60022045 UC150 Replacement Lid 1 pc.

60022046 UC150 Gasket for Sealing 1 pc.

Ultrasonic Solutions

60021960 BioSonic UC40 1L

Universal Ultrasonic Cleaner dosed bottle

60021961 BioSonic UC40 5L

Universal Ultrasonic Cleaner refill can

UC30 General Purpose Cleaning Solution 473 ml
Concentrate in MeterDose®
Dispensing Bottle

UC31 BioSonic General Purpose Cleaner 20 × 15 ml
plus Super Rust Inhibitor

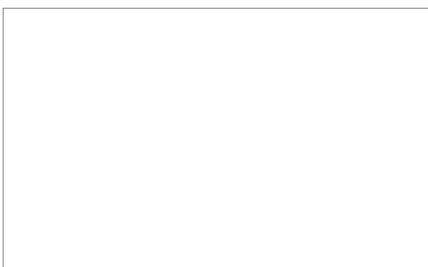
UC32 Enzymatic Ultrasonic Cleaner 236 ml
Concentrate in MeterDose®
Dispensing Bottle

UC34 Plaster & Stone Remover Powder 840 g
Concentrate in Jar

UC38 Germicidal Ultrasonic Cleaning 236 ml
Concentrate in MeterDose®
Dispensing Bottle

UC39 Cement Remover Concentrate in 473 ml
MeterDose® Dispensing Bottle

© 2017 Coltène/Whaledent AG - www.coltene.com



Coltène/Whaledent Ltd.
The President Suite
Kendal House, Victoria Way
Burgess Hill, West Sussex
RH15 9NF / UK
T +44 1444 235486
F +44 1444 870640
info.uk@coltene.com

Coltène/Whaledent AG
Feldwiesenstr. 20
9450 Altstätten / Switzerland
T +41 71 757 53 00
F +41 71 757 53 01
info.ch@coltene.com

Coltène/Whaledent Inc.
235 Ascot Parkway
Cuyahoga Falls, Ohio 44223 / USA
T +1 330 916 8800
F +1 330 916 7077
info.us@coltene.com

 **COLTENE**